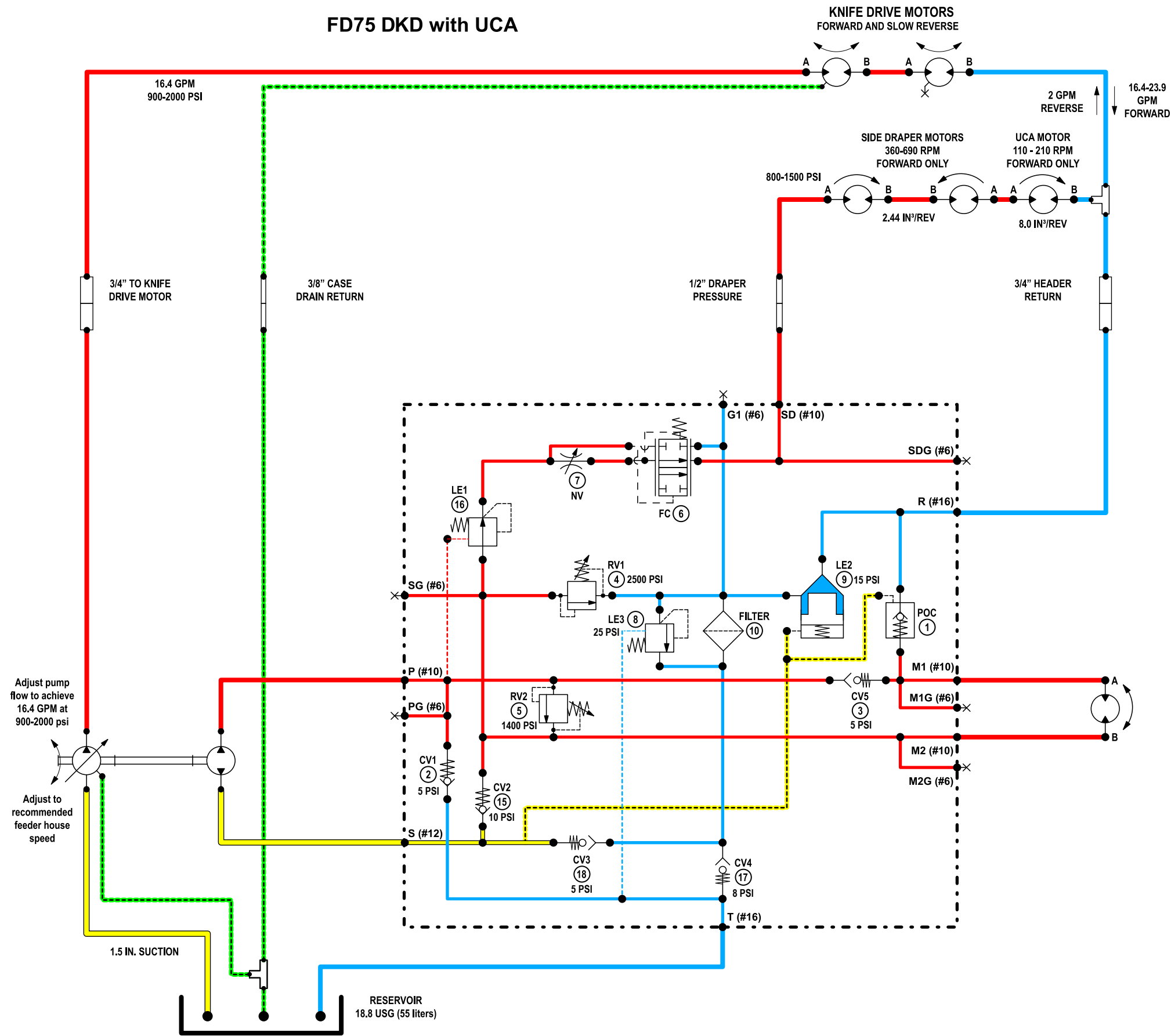


FD75 DKD with UCA



PARKER MANIFOLD

FORWARD COMPLETE CIRCUIT

- CV5 OPEN
- LE2 OPEN
- CV4 OPEN
- CV3 OPEN

LEGEND

- PRESSURE —
- RETURN —
- SUCTION —
- CASE DRAIN —
- CONNECTED ●
- NOT CONNECTED +

FD75 DKD with UCA

