



## VDC Introduction

# VDC – Vehicle Display Controller

# VDC – Vehicle Display Controller



# VDC – Vehicle Display Controller

Put display functions within reach

- 5 hot keys for rapid navigation
- Scroll with rotary encoder
- Select with pushbutton
- CAN Interface



# VDC – Vehicle Display Controller

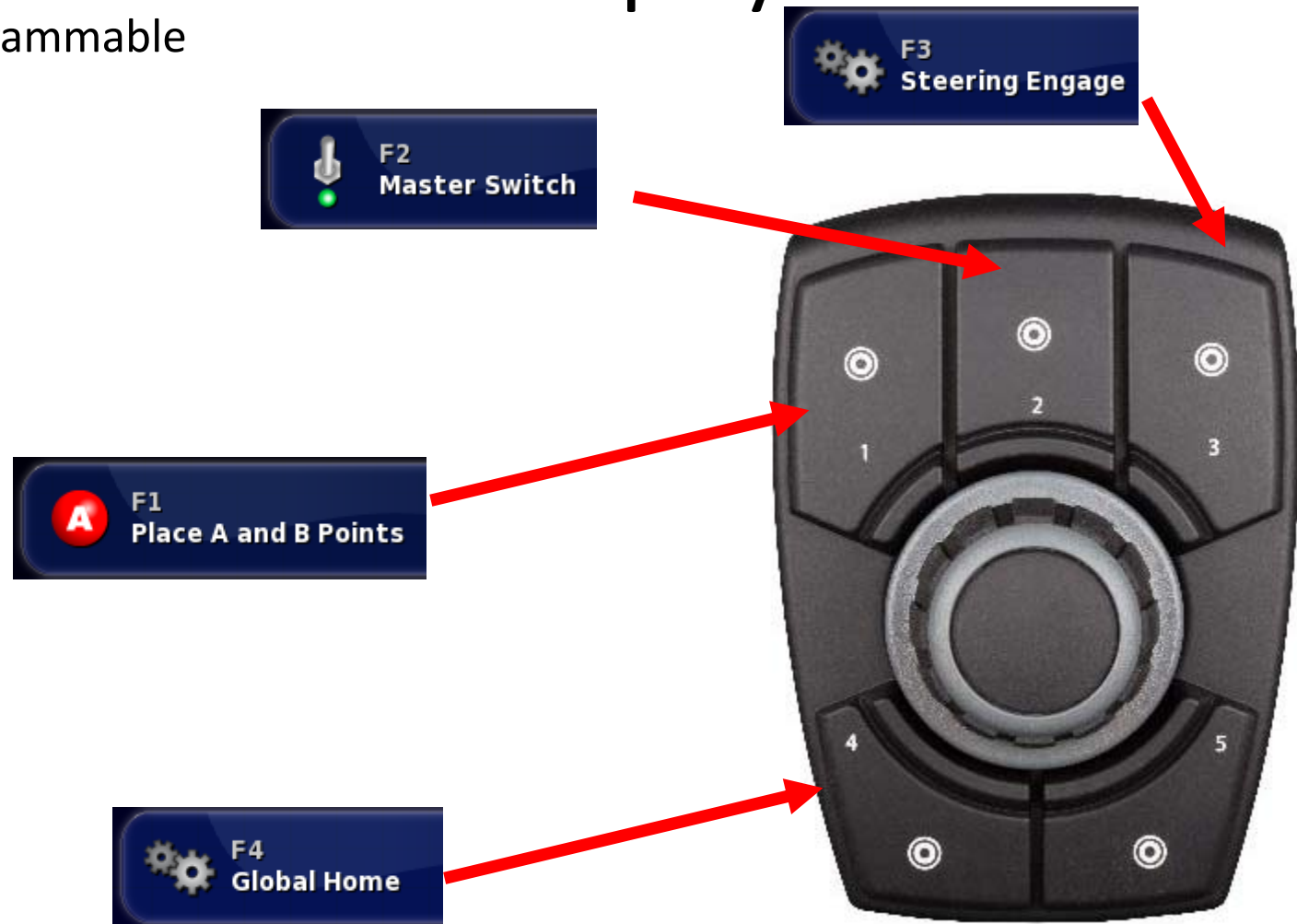
Put display functions within reach

- Compatible with X25 & X30
- Operates on ASC-10 CAN2
- Operates on ISO CAN1



# VDC – Vehicle Display Controller

User Programmable





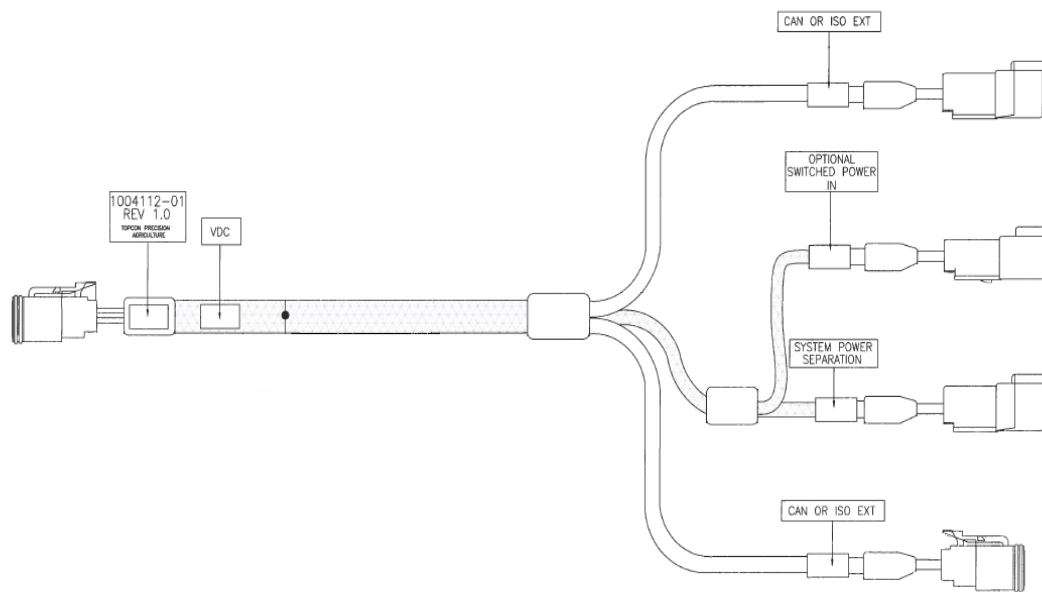
# VDC – Vehicle Display Controller

User Programmable



# VDC – Vehicle Display Controller

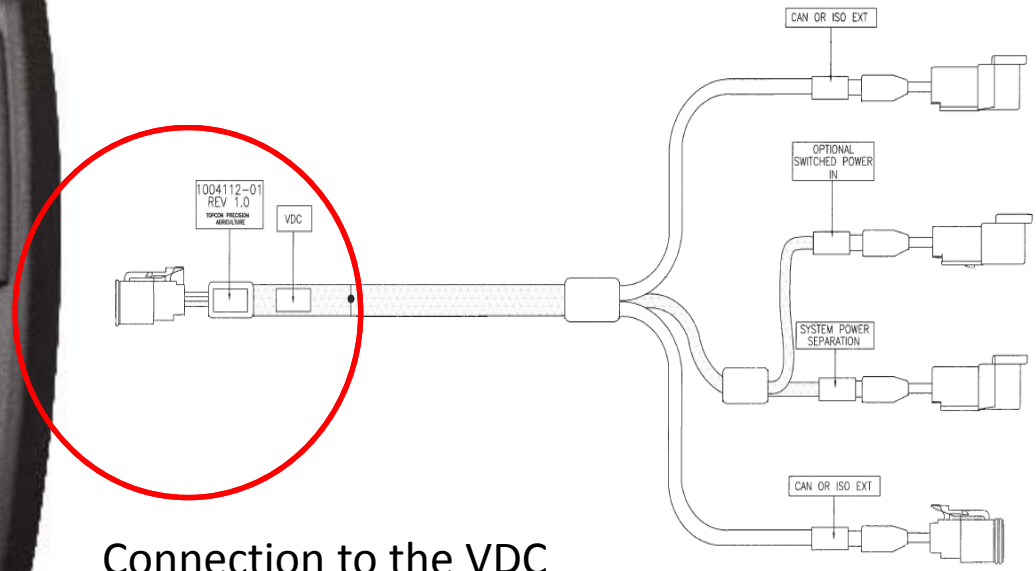
## Wiring Connections





# VDC – Vehicle Display Controller

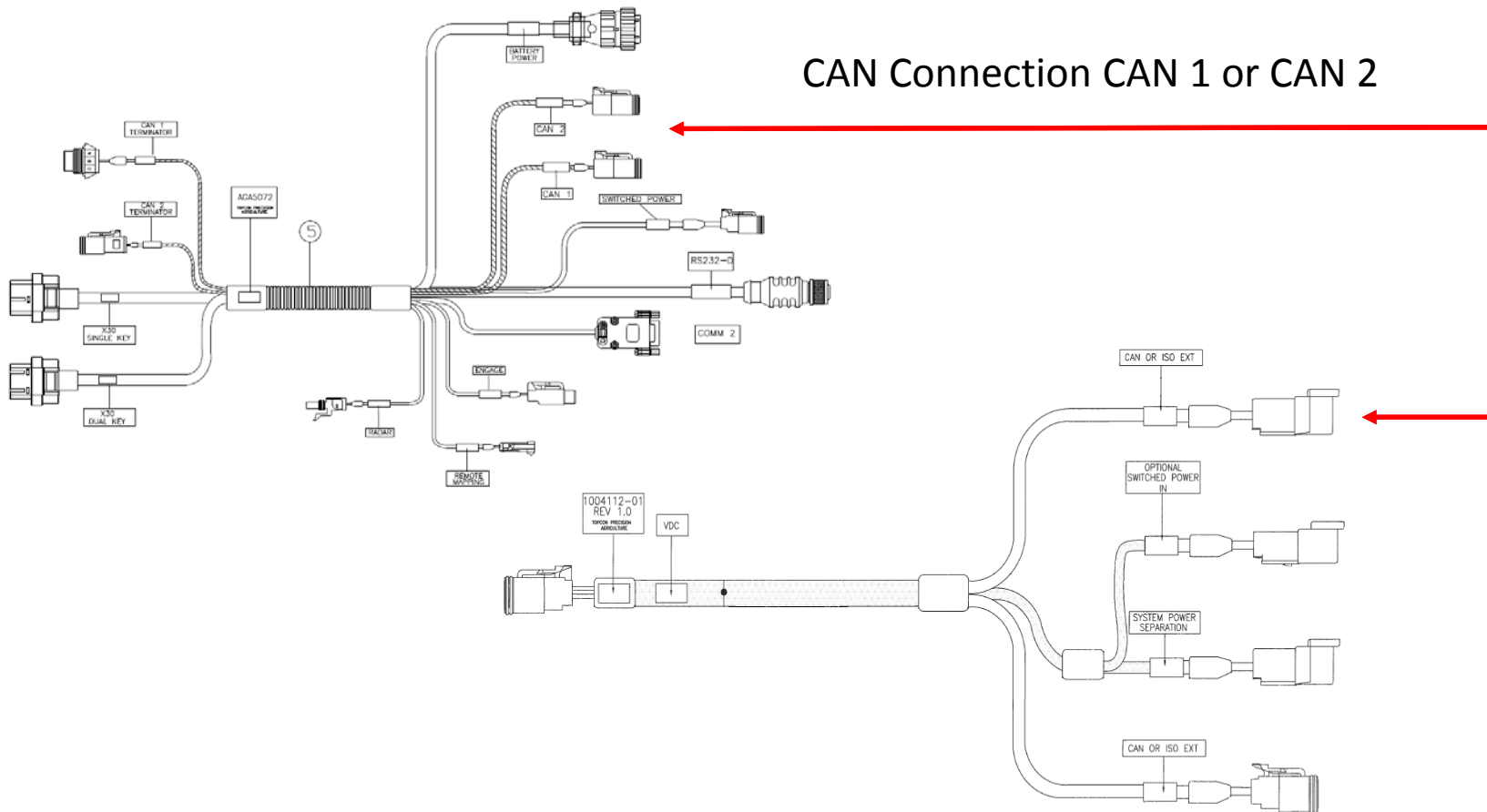
## Wiring Connections



Connection to the VDC

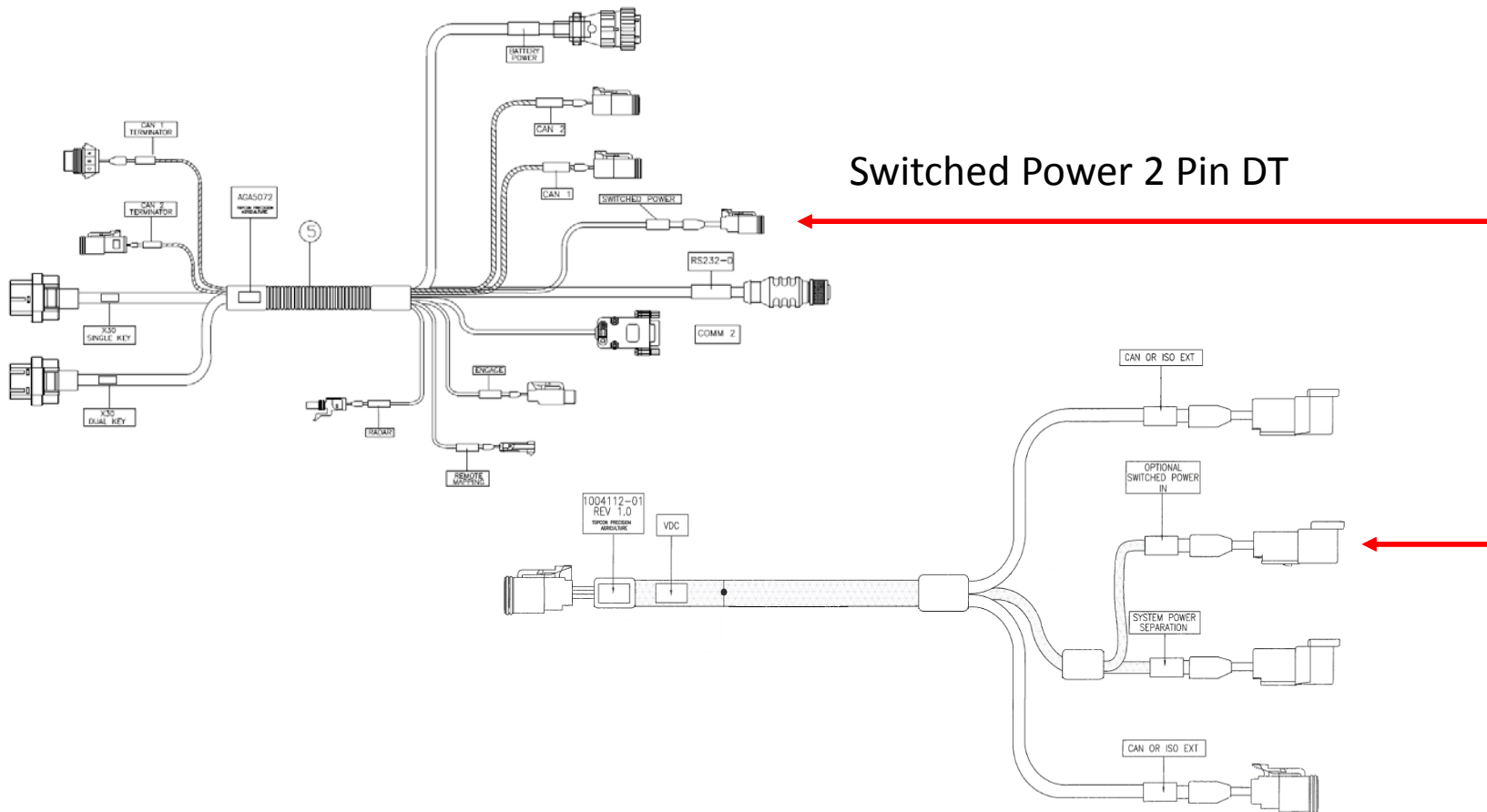
# VDC – Vehicle Display Controller

## Wiring AGA5072 Harness



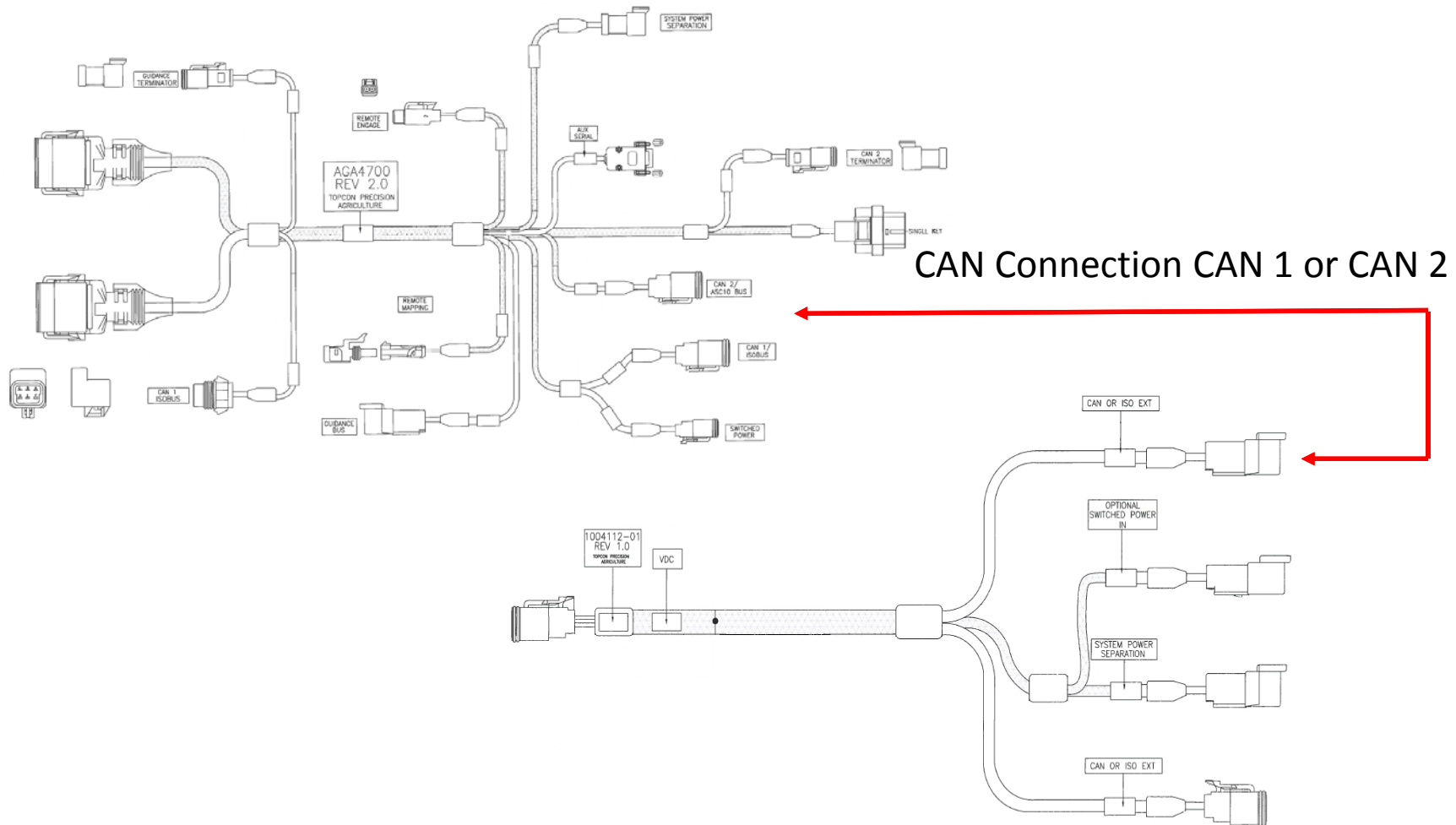
# VDC – Vehicle Display Controller

## Wiring AGA5072 Harness



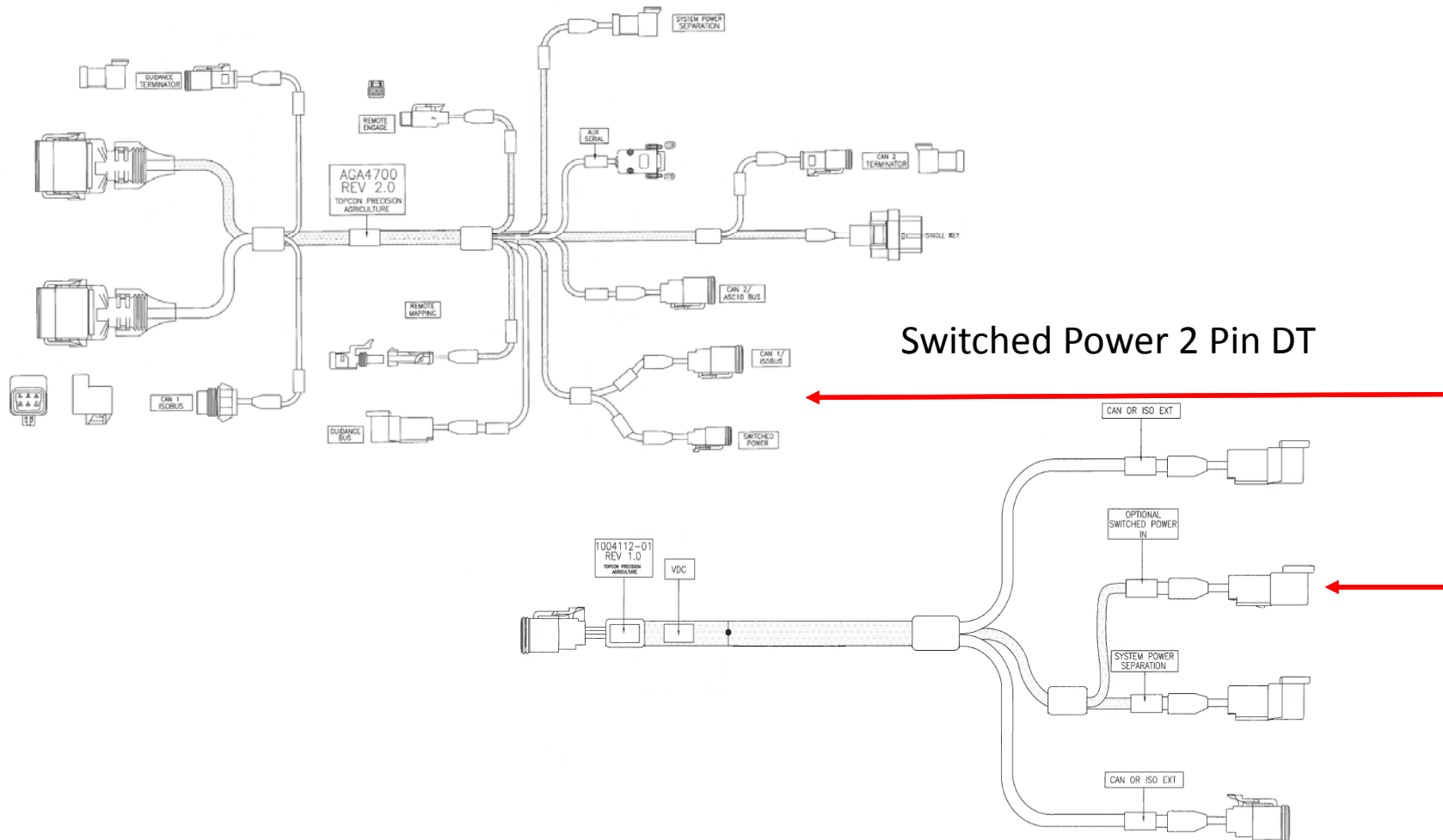
# VDC – Vehicle Display Controller

## Wiring AGA4700 Gen II Lite Harness



# VDC – Vehicle Display Controller

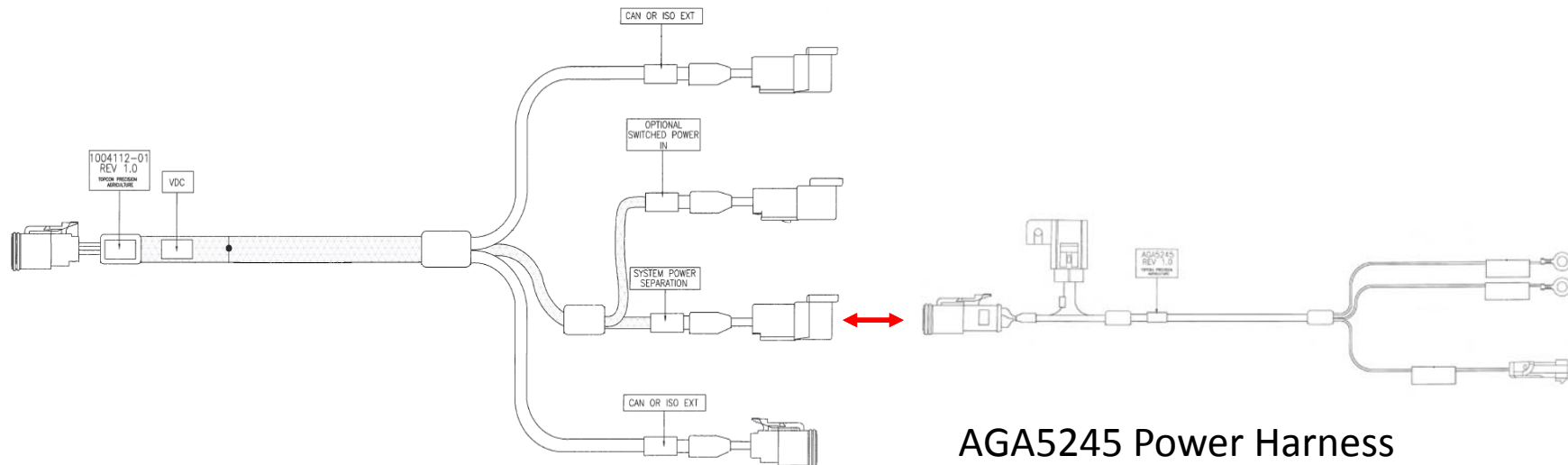
## Wiring AGA4700 Gen II Lite Harness



# VDC – Vehicle Display Controller

## Wiring Aux Power Input

### Aux Power Input Options



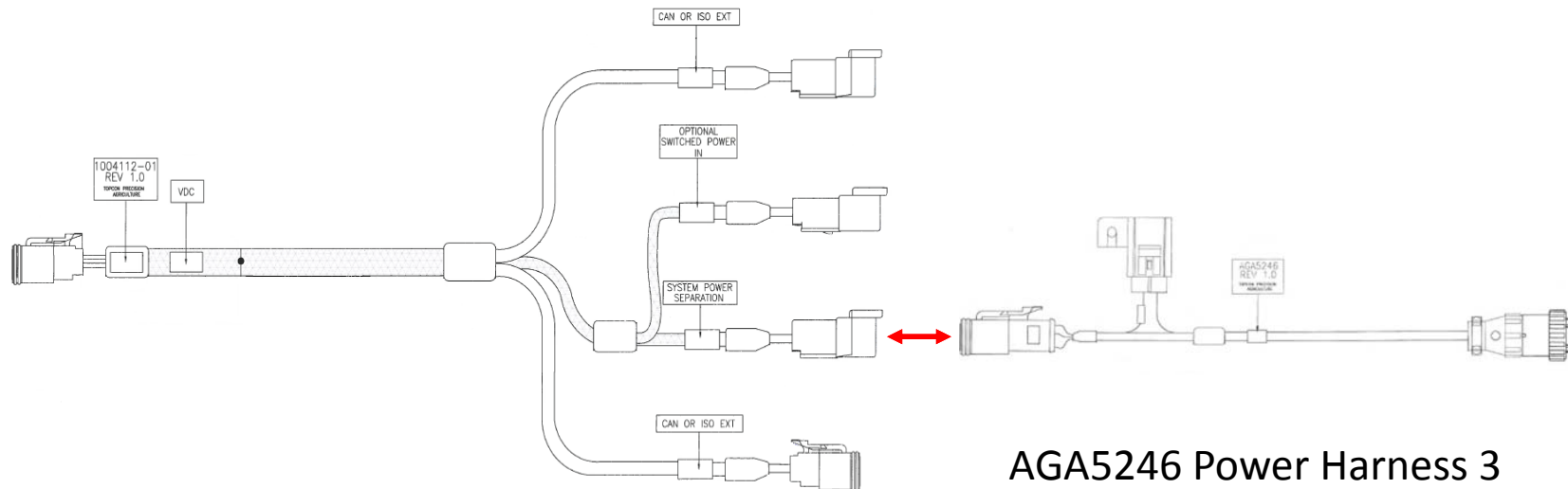
**AGA5245 Power Harness  
Eyelet Power Connector**



# VDC – Vehicle Display Controller

## Wiring Aux Power Input

### Aux Power Input Options

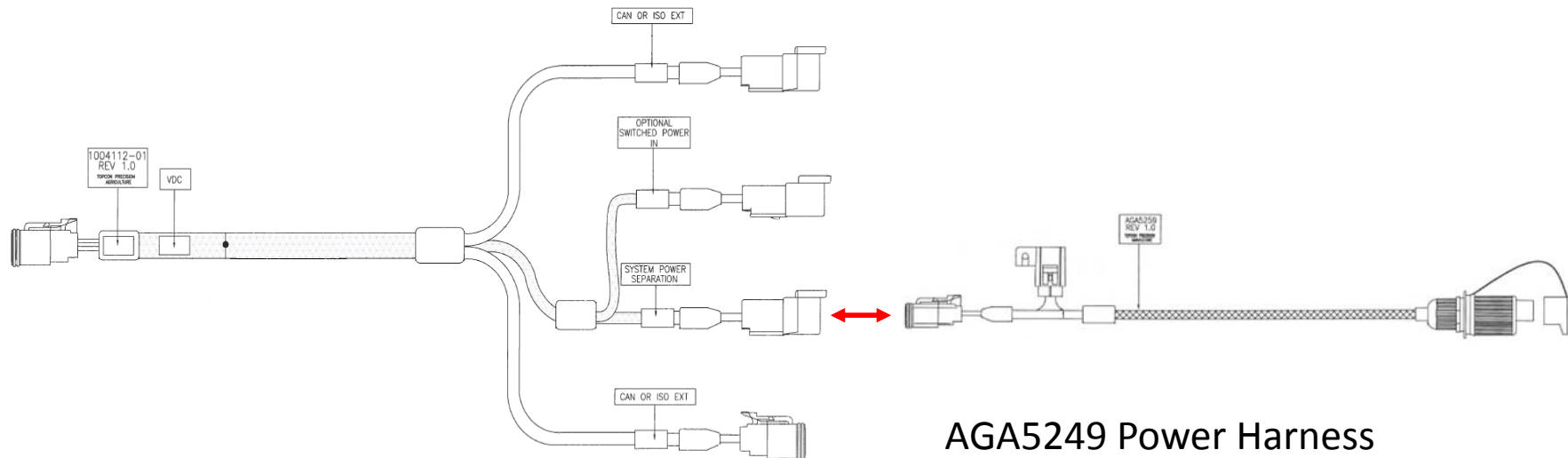


AGA5246 Power Harness 3  
Pin AMP Power Connector

# VDC – Vehicle Display Controller

## Wiring Aux Power Input

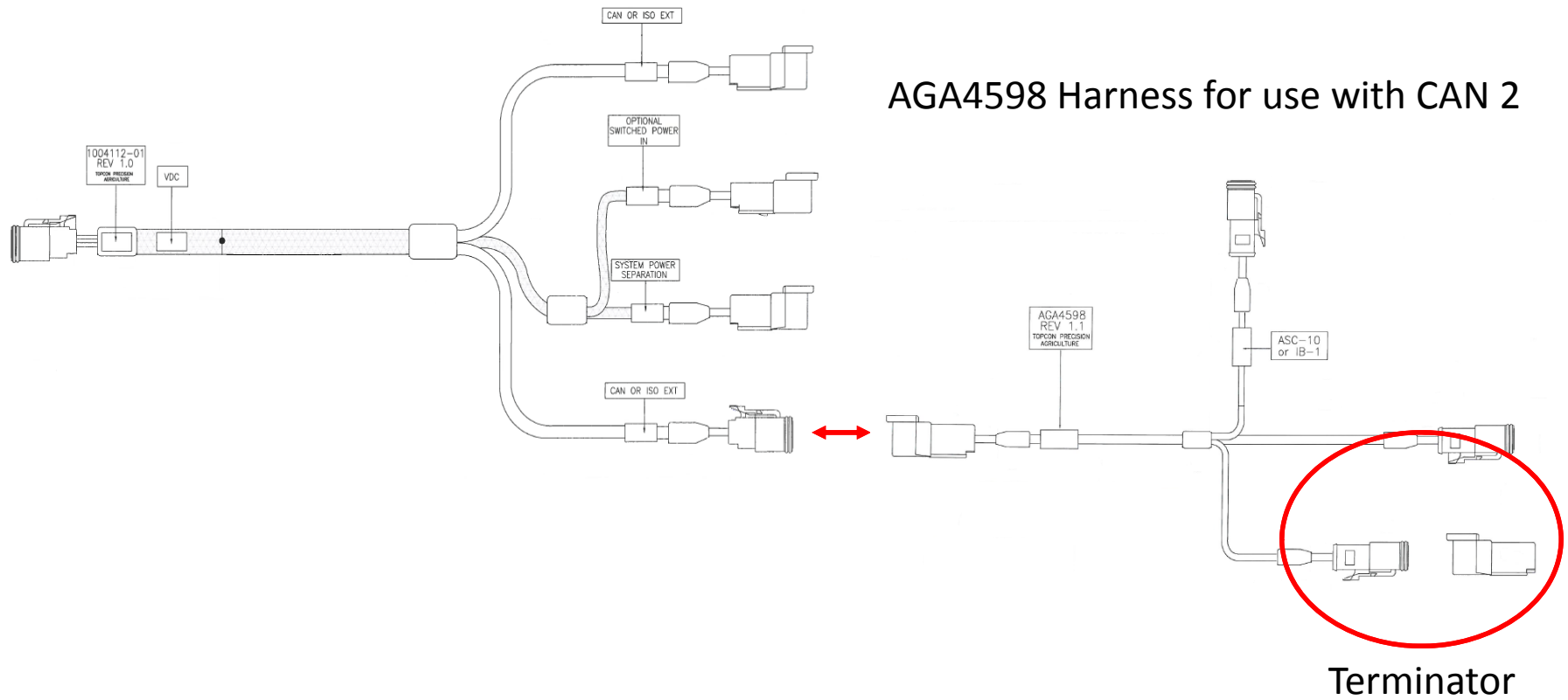
### Aux Power Input Options



AGA5249 Power Harness  
Cobo Power Connector

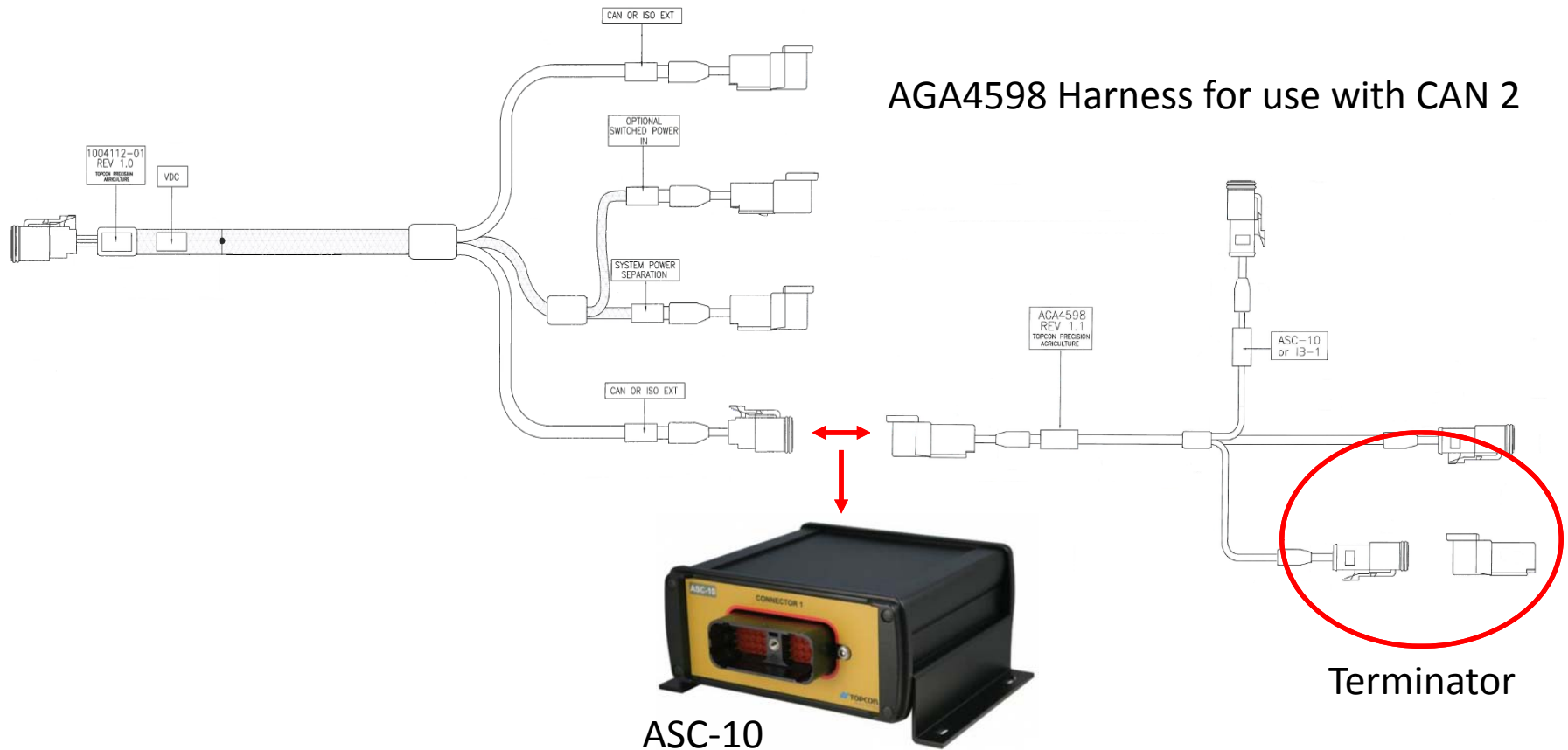
# VDC – Vehicle Display Controller

## Wiring CAN Termination



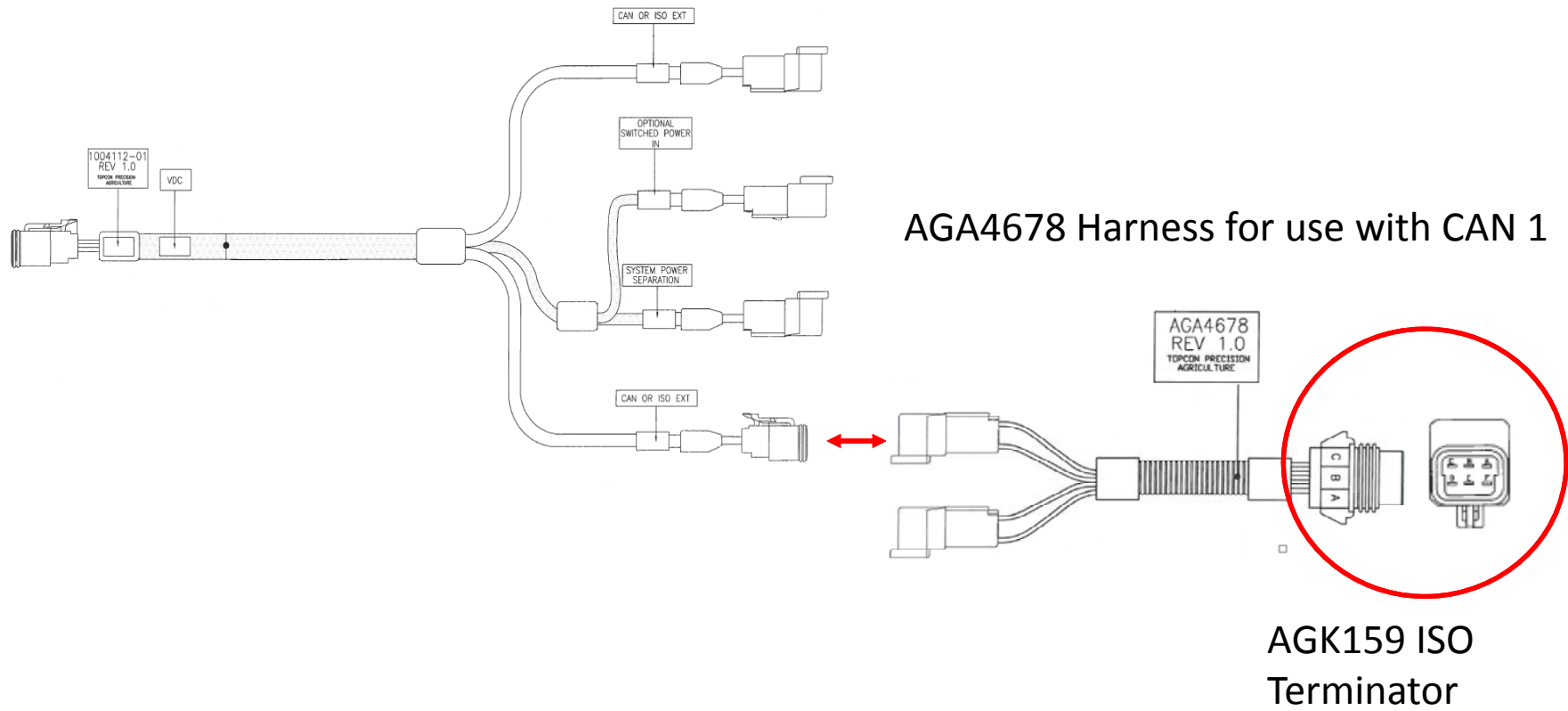
# VDC – Vehicle Display Controller

## Wiring CAN Termination



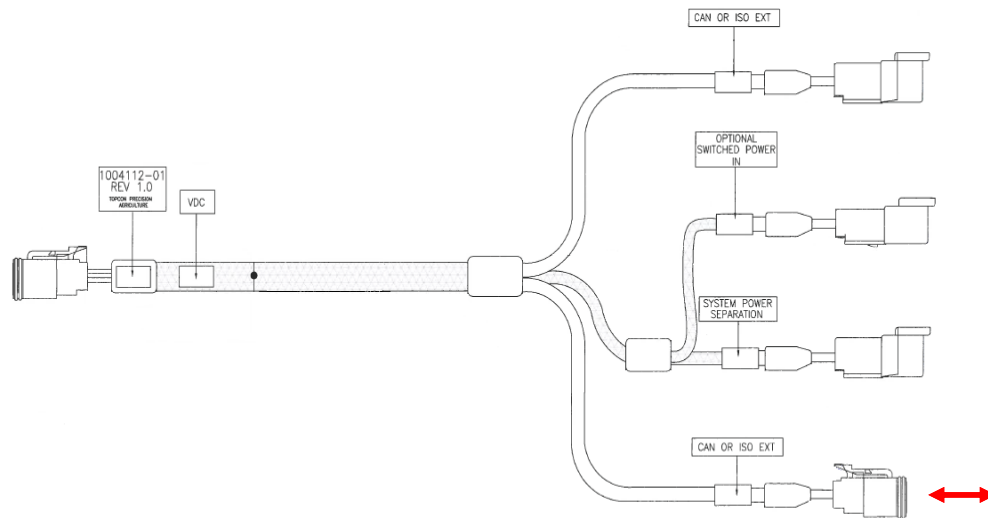
# VDC – Vehicle Display Controller

## Wiring CAN Termination



# VDC – Vehicle Display Controller

## Wiring CAN Termination



Or Back into the vehicle's ISO Network



