

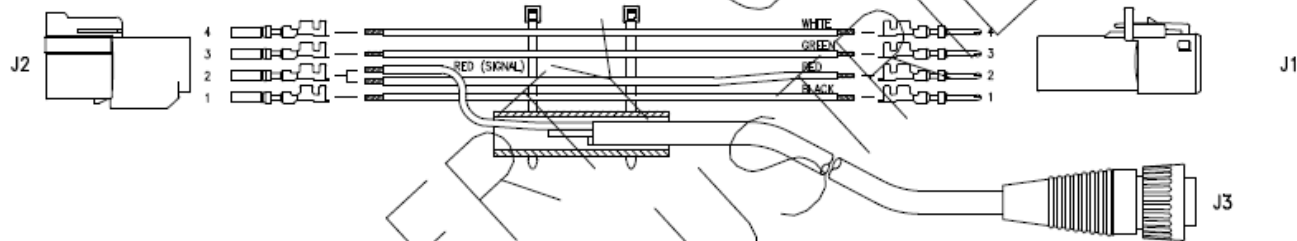
**Raven Radar cables
Versatile Tractors**

4 pin "Ford" connector
to Raven

1-115-0159-709
(AG714879)

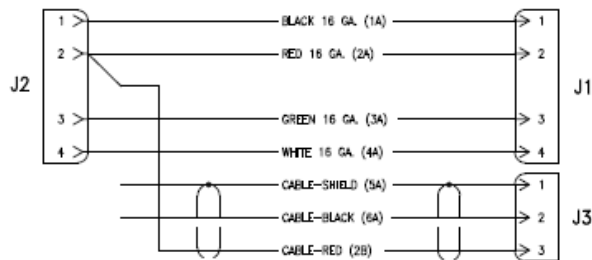


REVISIONS			
LTR.	DESCRIPTION	DATE	APPR.
A-E1484; B-E1942; C-E2282; C1-E2882			
C2	REVISED PER ECO E3905	7/9/99	LAA1
C3	REVISED PER ECO E4881	1/5/01	LAA1
C4	REVISED PER ECO E10981	8/28/06	LAA1
C5	REVISED PER ECO E14715	8/16/09	LAA1
C6	REVISED PER ECO E15120	9/29/09	LAA1



PROPERLY OF FILES
RAVEN INDUSTRIES

DETAIL B
PIN INSERTION END



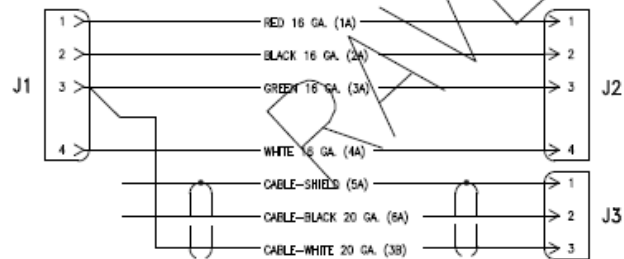
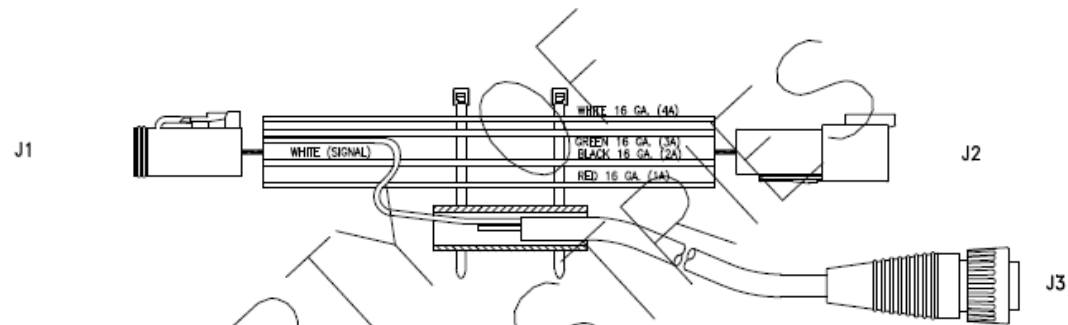
WIRING DIAGRAM

QTY. REQ'D.	NOMENCLATURE OR DESCRIPTION	PART OR IDENTIFYING NO.	SPECIFICATION	MATERIAL OR NOTE	ITEM NO.
LIST OF MATERIALS OR PARTS LIST					
UNLESS OTHERWISE SPECIFIED		DRAWN	HRT	10/31/94	RAVEN INDUSTRIES, INC. SIOUX FALLS, SOUTH DAKOTA
DIMENSIONS ARE IN INCHES		CHECKED	GRG	6/15/09	
ONE PLACE DECIMALS ±.06		PROJ. ENG.	JEK	1/17/95	
TWO PLACE DECIMALS ±.03		NOTICE:		TITLE CABLE, RAVEN ADAPTER, FORD GENESIS/VERSATILE TRACTOR	
THREE PLACE DECIMALS ±.010		THIS DRAWING AND THE INFORMATION PROVIDED ARE PROPERTY OF RAVEN INDUSTRIES INC., AND MAY ONLY BE USED AS AUTHORIZED BY RAVEN INDUSTRIES INC.			
FRACTIONS ±1/16		ALL RIGHTS RESERVED UNDER THE COPYRIGHT LAWS.		CODE IDENT NO.	
ANGLES ± 0°-30°		RELEASE FOR PRODUCTION		SIZE	DRAWING NUMBER
BREAK EDGES .005-.015		NUMBER		14979	C
MATERIAL		APPROVED		115-0159-709	
FINISH		DATE		SHEET 1 OF 1	
NEXT ASSEMBLY		DO NOT SCALE DRAWING	E1345	JEK	1/17/95
		SCALE	NA		

4 Pin Deutsch to Raven
1-115-0159-627
AG713731



REVISIONS			
LTG.	DESCRIPTION	DATE	APPR.
--E1233; A-E1424; --E1679; --E1803			
B-E2294; B1-E2892; B2-E3805; B3-E3906			
B4-E3951; B5-E4074; B6-E4880; C-E4489			
C1	REVISED FOR ECO E7230	9/8/03	LAA1
C2	REVISED FOR ECO E7802	2/25/04	LAA1
C3	REVISED FOR ECO E10451	4/7/06	LAA1
C4	REVISED FOR ECO E14917	8/6/09	LAA1
C5	REVISED FOR ECO E17496	4/8/11	LAA1



WIRING DIAGRAM

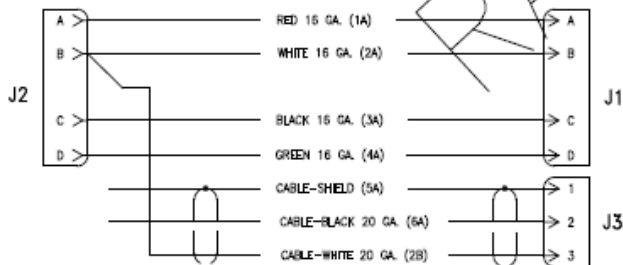
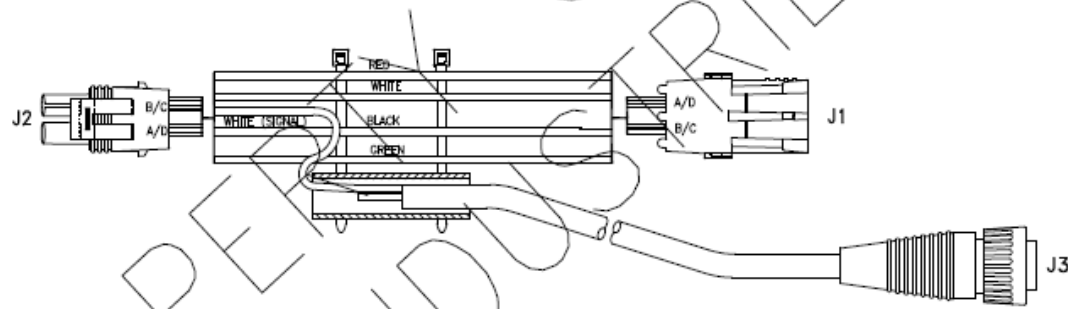
PROPERTY OF
RAVEN INDUSTRIES

QTY. REQ'D.	NOMENCLATURE OR DESCRIPTION	PART OR IDENTIFYING NO.	SPECIFICATION	MATERIAL OR NOTE	ITEM NO.
LIST OF MATERIALS OR PARTS LIST					
UNLESS OTHERWISE SPECIFIED		DRAWN	HGT	10/04/93	
DIMENSIONS ARE IN INCHES		CHECKED	DAW	12/20/02	
ONE PLACE DECIMALS ±.06		PROJ. ENG.	DNR	10/08/93	
TWO PLACE DECIMALS ±.03		<div style="display: flex; justify-content: space-between; align-items: center;"> <div style="font-size: 10px;"> <p>NOTICE</p> <p>THIS DRAWING AND THE INFORMATION PROVIDED ARE PROPERTY OF RAVEN INDUSTRIES INC., AND MAY ONLY BE USED AS AUTHORIZED BY RAVEN INDUSTRIES INC.</p> <p>ALL RIGHTS RESERVED UNDER THE COPYRIGHT LAWS.</p> </div> <div style="font-size: 24px; font-weight: bold; text-align: center;">RAVEN</div> <div style="font-size: 10px; text-align: right;"> <p>INDUSTRIES, INC.</p> <p>SIoux FALLS, SOUTH DAKOTA</p> </div> </div>			
THREE PLACE DECIMALS ±.010					
FRACTIONS ±1/16					
ANGLES ± 0°-30'					
BREAK EDGES .005-.015					
MATERIAL		<div style="display: flex; justify-content: space-between;"> <div> <p>RELEASE FOR PRODUCTION</p> <p>NUMBER APPROVED DATE</p> </div> <div style="text-align: center;"> <p>14979</p> </div> <div style="text-align: right;"> <p>SIZE C</p> <p>DRAWING NUMBER 115-0159-627</p> </div> </div>			
FINISH					
DO NOT SCALE DRAWING					
NEXT ASSEMBLY					
E1086		DNR		10/08/93	
SCALE		NA		SHEET 1 OF 1	

4 Pin Square Weatherpack
To Raven
1-115-0159-517
(AG710963)



REVISIONS				
LTR.	DESCRIPTION	DATE	APPR.	
C	E0749; D=E0753; E=E0773; F=E0817			
G	E0836; H=E0861; H--E1233; H--E1288			
J	E1424; J1=E1797; K=E2208; K1=E2278			
K2	E2393; K3=E2514; K4=E2603; K5=E2788			
K6	E3805; K7=E3908; K8=E4876			
K9	REVISED PER ECO E6080	9/6/02	LAA1	
L	REVISED PER ECO E10061	1/24/06	LAA1	
L1	REVISED PER ECO E11423	12/5/06	LAA1	
L2	REVISED PER ECO E14917	8/6/09	LAA1	



WIRING DIAGRAM

PROPER INDUSTRY PRACTICES

QTY. REQ'D.	NOMENCLATURE OR DESCRIPTION	PART OR IDENTIFYING NO.	SPECIFICATION	MATERIAL OR NOTE	ITEM NO.	
LIST OF MATERIALS OR PARTS LIST						
UNLESS OTHERWISE SPECIFIED		DRAWN	LMR	3/13/90	<div style="font-size: 24px; font-weight: bold; letter-spacing: 0.5em;">RAVEN</div> INDUSTRIES, INC. <small>SIOUX FALLS, SOUTH DAKOTA</small>	
DIMENSIONS ARE IN INCHES		(CHECKED)	DAW	9/9/02		
ONE PLACE DECIMALS ±.06		PROJ. ENG.	DNR	3/16/90		
TWO PLACE DECIMALS ±.03		NOTICE: THIS DRAWING AND THE INFORMATION PROVIDED ARE PROPERTY OF RAVEN INDUSTRIES INC., AND MAY ONLY BE USED AS AUTHORIZED BY RAVEN INDUSTRIES INC. ALL RIGHTS RESERVED UNDER THE COPYRIGHT LAWS.				
THREE PLACE DECIMALS ±.010						
FRACTIONS ±1/16						
ANGLES ± 0°-30'		TITLE CABLE, RADAR INTERFACE (DICKEY JOHN/CASE-IH)				
BREAK EDGES .005-.015						
MATERIAL						
FINISH		RELEASE FOR PRODUCTION		CODE IDENT NO.	SIZE	
		NUMBER	APPROVED	DATE	DRAWING NUMBER	
NEXT ASSEMBLY		DO NOT SCALE DRAWING	ED729	DNR	3/13/90	14979 C 115-0159-517
SCALE				NA	SHEET 1 OF 1	